



Catamount®

T&B Catalog Number: L-24-175-9-L
UPC Number: 72849491290
Description: Cable Tie 175lb 24" Natural All-Nylon 50 Per Bag

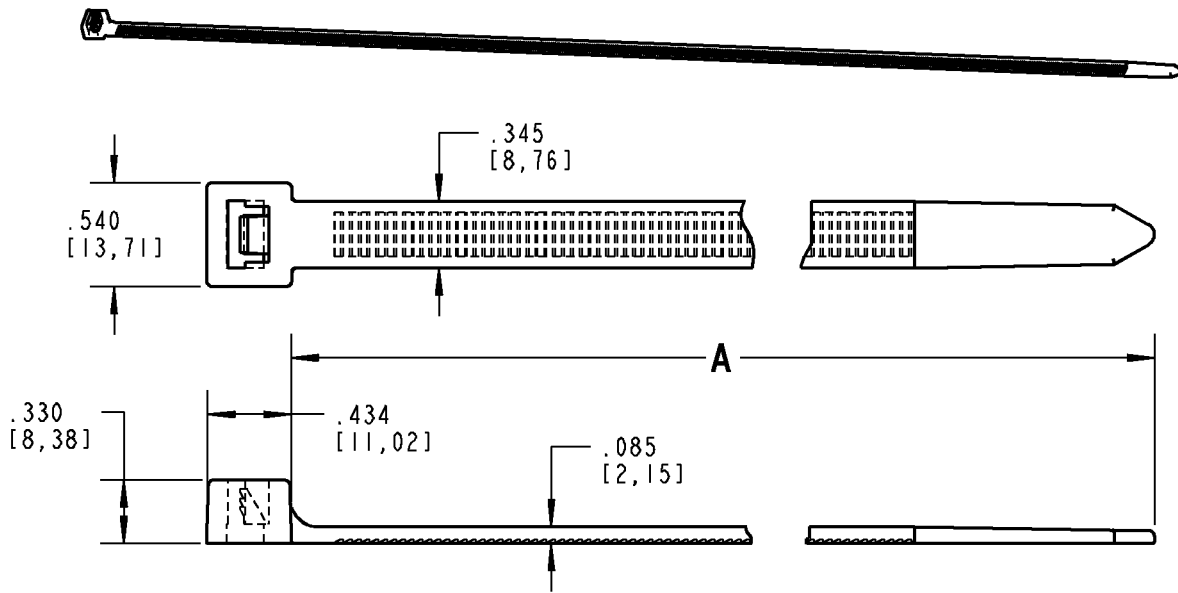
Status: Active

General	
Material	Nylon 6.6
Color	Natural
Dimension Information	
Length (inches)	24.0
Width (inches)	0.345
Max. Wire Bundle Diameter (inches)	7.2
Min. Wire Bundle Diameter (inches)	3/16
Specifications	
Tensile Strength (lbs.)	175
Temperature Rating	-40°F to 185°F
Flammability Rating	UL 94 V-2
Tooling	
Application Tools	L-300C
Packaging	
T&B Order Multiple	50
T&B Inner Pack	50
Package in Units	500
Package Type	Standard
T&B Sold in UOM	Each
T&B Weight Per UOM	28.7 lbs. per 1000
Application Support	
T&B Sales Drawings	wsd-000289
Overview	Available on Website
Material Selection Guide	Available on Website
Available Colors	Available on Website
Certifications	
RoHS Compliance	Yes
Certifications	





Catamount®



NOTES:

1. MATERIAL: NYLON 6,6
2. FLAMMABILITY: UL94V-2
3. OPERATING TEMPERATURE RANGE: -40°F [-40°C] TO 185°F [85°C]
4. MINIMUM TENSILE RATING: 175 LBS [778 N]
5. MAXIMUM WIRE BUNDLE: SEE TABLE
6. FOR USE WITH UL LISTED NON-METALLIC AIR DUCTS AND AIR CONNECTORS
7. INSTALLATION TOOL: L-300
8. STANDARD PACKAGE QUANTITY: 50

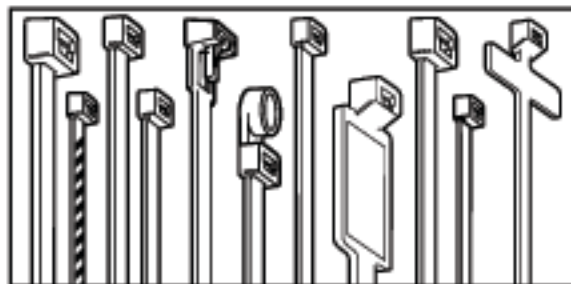
CATALOG NUMBER	MAXIMUM WIRE BUNDLE	A
L-24-175-*-L	7.200 [182,88]	23.946 [608,22]
L-34-175-*-L	10.000 [254]	33.686 [855,62]
L-36-175-*-L	10.750 [273,05]	36.376 [923,37]
L-41-175-*-L	12.000 [304,8]	40.566 [1030,37]
L-48-175-*-L	15.000 [381]	47.566 [1208,17]

* = COLOR CODE: 0 = BLACK 4 = YELLOW 8 = GRAY 17 = FLUORESCENT YELLOW
 1 = BROWN 5 = GREEN 9 = NATURAL 18 = FLUORESCENT GREEN
 2 = RED 6 = BLUE 11 = FLUORESCENT PINK 20 = FLUORESCENT BLUE
 3 = ORANGE 7 = PURPLE 16 = FLUORESCENT ORANGE

FLUORESCENT COLORS NOT "UL" LISTED OR RECOGNIZED

GENERAL NOTES		<h2>Thomas & Betts</h2>			
1. ALL DIMENSIONS ARE FOR REFERENCE ONLY. 2. DIMENSIONS IN BRACKETS [] ARE IN METRIC UNITS.					
REVISIONS		DESCRIPTION: 24", 34", 36", 41" & 48" SERIES 175 EXTRA HEAVY DUTY CABLE TIES			
- SEE ERN (****) FOR APPROVAL SIGNATURES & RELEASE DATE. PROJECT NO: ****					
		ORIGINAL PROJECT NO / (ERN NO)	SHEET NO:	REV. NO:	DRAWING NO:
		FMM40182 / (2007102)	1 OF 1	-	WSD-000289

Ty-Fast® Cable Ties



- MINIATURE
- HEAVY DUTY
- INTERMEDIATE
- EXTRA HEAVY DUTY
- STANDARD
- RELEASABLE TIES

- MOUNTING HEAD
- STRIPED TIES
- RESTRICTED BUNDLE
- IDENTIFICATION TIES
- MIL-SPEC TIES

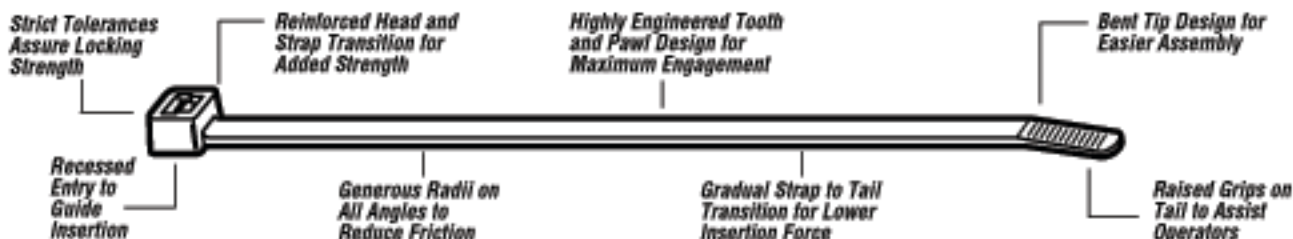
Ty-Fast® Cable Ties are available in lengths from 4" to our exclusive 48" strap. Cable Ties will satisfy bundling requirements from 1/8" to 15" and loop tensile strengths from 18 to 175 pounds.

Cable Ties are stocked in materials and colors as listed. Contact your Ty-Fast® Distributor or Customer Service Representative for availability in special materials and colors.

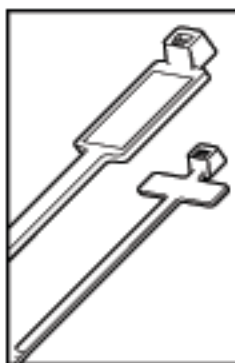
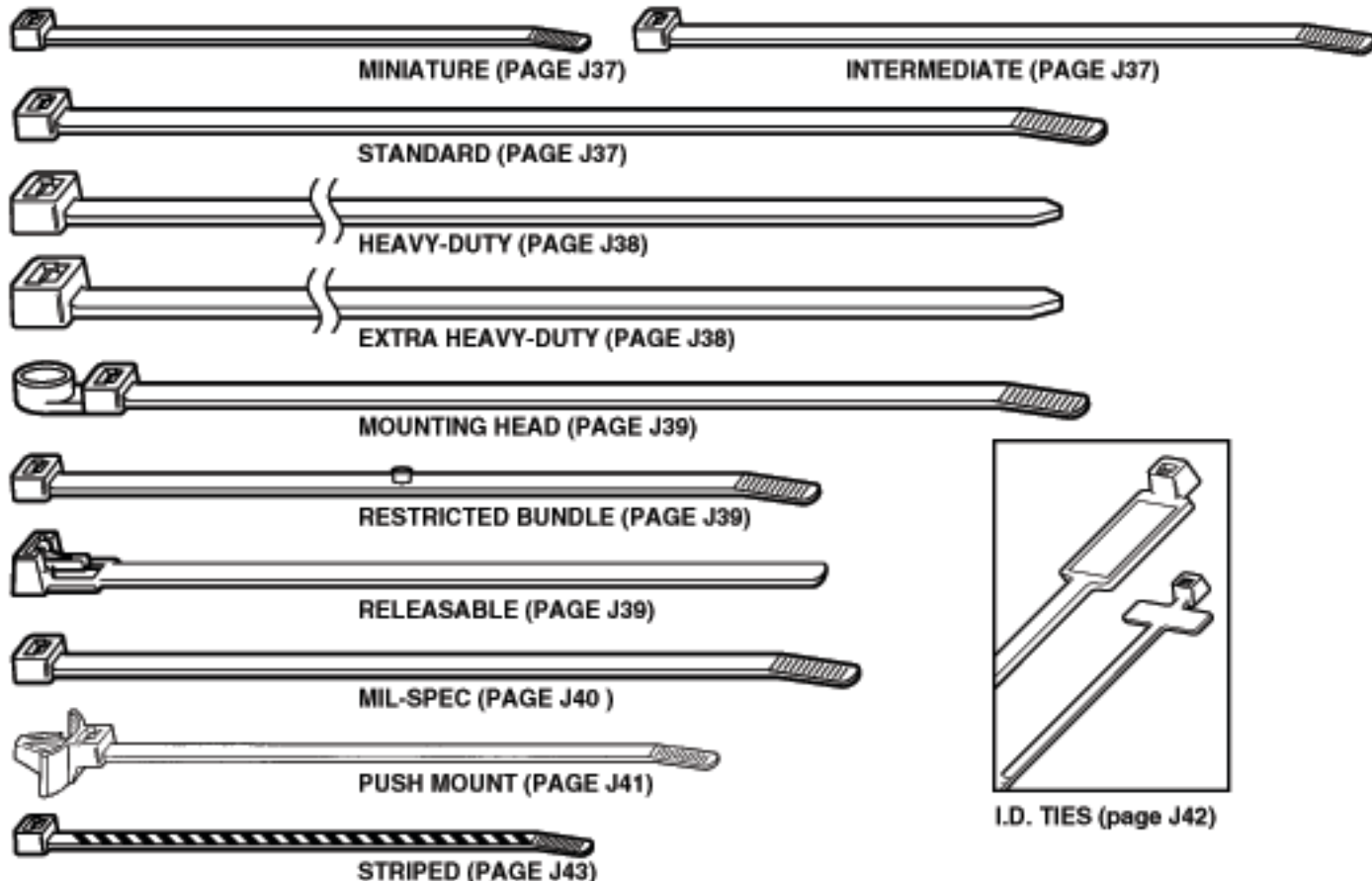
Where applicable, Ty-Fast® Cable Ties are UL Recognized, Mil-Spec Approved and/or QPL Listed.

State-of-the-art robotic and raw material handling equipment assures product and material integrity throughout the manufacturing process. Overall quality is achieved through statistical analysis and quality driven operator objectives. Ty-Fast® has attained Mil-Spec I-45208 quality ratings from a number of equipment manufacturers.

Ty-Fast® products are sold through stocking T&B Distributors.



Ty-Rap®/Ty-Fast®



I.D. TIES (page J42)

Thomas & Betts

Catamount® Cable Ties

Catamount® Ties and Terminals fit the needs of general-purpose fastening and wire terminations. Installers quickly discover that Catamount products offer durable and value-priced cable bundling for a variety of commercial and residential construction applications. Electricians can also take advantage of other benefits in stocking Catamount products in their toolboxes, such as more terminals per bag in most popular sizes than leading comparable brands.

Catamount Ties and Terminals are offered in a wide range of sizes, styles and colors and meet listing requirements for most electrical termination and fastening projects. A choice of matching tools are also offered to provide quick and reliable installations.

Miniature — Series 18

CAT. NO.	LENGTH (IN.)	MAX. BUNDLE DIA.	COLOR	STD. QTY.
L-4-18-9-C	4.0	1/8	Natural	100
L-4-18-0-C	4.0	1/8	Black	100
L-6-18-9-C	6.4	1 1/8	Natural	100
L-6-18-0-C	6.4	1 1/8	Black	100
L-8-18-9-C	8.0	2	Natural	100
L-8-18-0-C	8.0	2	Black	100

Bulk packages available. Contact Customer Service.

Use QC-102, L-200, L-400-C or ERG-50 Installation Tools

Intermediate — Series 30

CAT. NO.	LENGTH (IN.)	MAX. BUNDLE DIA.	COLOR	STD. QTY.
L-5-30-9-C	5.6	1 1/8	Natural	100
L-5-30-0-C	5.6	1 1/8	Black	100
L-8-40-9-C	8.5	2	Natural	100
L-8-40-0-C	8.5	2	Black	100
L-11-40-9-C	11.5	3	Natural	100
L-11-40-0-C	11.5	3	Black	100
L-14-40-9-C	14.5	4	Natural	100
L-14-40-0-C	14.5	4	Black	100

Bulk packages available. Contact Customer Service.

Use QC-102, L-200, L-400-C or ERG-50 Installation Tools

Standard — Series 50

CAT. NO.	LENGTH (IN.)	MAX. BUNDLE DIA.	COLOR	STD. QTY.
L-5-50-9-C	5.5	1	Natural	100
L-5-50-0-C	5.5	1	Black	100
L-7-50-0-C	7.5	1 1/8	Natural	100
L-7-50-9-C	7.5	1 1/8	Black	100
L-11-50-9-C	11.1	3	Natural	100
L-11-50-0-C	11.1	3	Black	100
L-14-50-9-C	14.1	4	Natural	100
L-14-50-0-C	14.1	4	Black	100

Bulk packages available. Contact Customer Service.

Use QC-102, L-200, L-400-C or ERG-50 Installation Tools

Heavy-Duty — Series 120

CAT. NO.	LENGTH (IN.)	MAX. BUNDLE DIA.	COLOR	STD. QTY.
L-8-120-9-C	8.0	2	Natural	100
L-8-120-0-C	8.0	2	Black	100
L-11-120-9-C	11.1	3	Natural	100
L-11-120-0-C	11.1	3	Black	100
L-14-120-9-C	14.2	4	Natural	100
L-14-120-0-C	14.2	4	Black	100
L-18-120-9-L	18.0	4 1/2	Natural	50
L-18-120-0-L	18.0	4 1/2	Black	50
L-24-120-9-L	24.2	7	Natural	50
L-24-120-0-L	24.2	7	Black	50
L-28-120-9-L	28.0	9	Natural	50
L-28-120-0-L	28.0	9	Black	50

Use L-300C or ERG-120 Installation Tool

Extra Heavy-Duty — Series 175

CAT. NO.	LENGTH (IN.)	MAX. BUNDLE DIA.	COLOR	STD. QTY.
L-24-175-9-L	24.0	7.2	Natural	50
L-24-175-0-L	24.0	7.2	Black	50
L-34-175-9-L	34.0	10	Natural	50
L-36-175-9-L	36.0	10 1/2	Natural	50
L-36-175-0-L	36.0	10 1/2	Black	50
L-41-175-9-L	41.0	12	Natural	50
L-41-175-0-L	41.0	12	Black	50
L-48-175-9-L	48.0	15	Natural	50
L-48-175-0-L	48.0	15	Black	50

Use L-300C Installation Tool

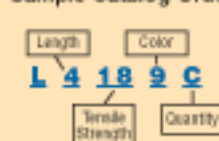
Identification Ties

CAT. NO.	LENGTH (IN.)	MAX. BUNDLE DIA.	COLOR	STD. QTY.
L-7-50ID-9-C	7.675	1 1/8	Natural	100
L-4-18ID-9-C	4.0	1/8	Natural	100

Bulk packages available. Contact Customer Service.

Use QC-102, L-200 or L-400-C Installation Tool

Sample Catalog Order:



4" Length, 18-lb. Tensile Strength, Natural Color, 100-Pack Quantity

Color Table

0 - Black	9 - Natural
1 - Brown	11 - Fluorescent Pink
2 - Red	16 - Fluorescent Orange
3 - Orange	17 - Fluorescent Yellow
4 - Yellow	18 - Fluorescent Green
5 - Green	20 - Fluorescent Blue
6 - Blue	
7 - Purple	
8 - Gray	